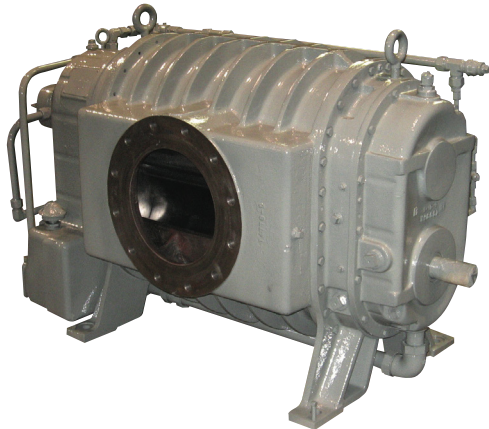




RGS-HVB: Frames 1009 thru 2060

ROOTS® RGS-HVB High Vacuum Booster



For further information contact:

ROOTS
900 W. Mount Street,
Connersville Indiana, 47331
USA

Tel: +1 765 827 9200
Web: www.RootsBlower.com

ROOTS® RGS High Vacuum Boosters are continuous duty units designed for applications to the single digit micron range when used in series with a backing pump.

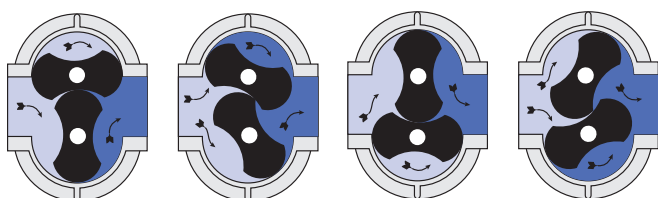
Basic blower description

The basic high vacuum booster is constructed with a close-grained grey iron cylinder, alloy steel timing gears, ductile iron impellers and antifriction bearings.

RGS High Vacuum Boosters have four pressure lubricated single-face seals, one at each shaft, between the bearing and pumping compartment. Gears and bearings are under atmospheric pressure. A shaft driven oil pump supplies clean, cool lubricating oil to gears, bearings and seals.

Bi-lobe operating principle

Two figure-eight lobe impellers mounted on parallel shafts rotate in opposite directions. As each impeller passes the blower inlet, it traps a finite volume of air and carries it around the case to the blower outlet, where the air is discharged. With constant speed operation, the displaced volume is essentially the same regardless of pressure, temperature or barometric pressure. Timing gears control the relative position of the impellers to each other and maintain small but finite clearances. This allows operation without lubrication being required inside the lobe cavity.



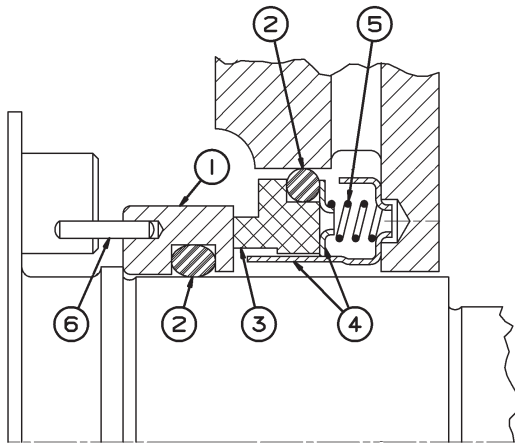
Performance table

Size	Max Speed RPM	Gross displ. CFM	Inlet flange inches	Disch. flange inches	Unit wt. lbs
1009	1900	2276	8	8	1840
1012	1900	3034	8	8	2010
1016	1900	4170	10	10	2240
1018	1900	4740	10	10	2300
1021	1900	5310	12	10	2400
1024	1900	6061	12	10	2740
1030	1900	7581	14	12	3390
1225	1600	7792	14	12	3900
1228	1350	8704	14	12	4060
1236	1350	11008	16	14	4590
1431	1350	11097	16	14	5800
1435	1350	12339	18	16	6050
1442	1350	14796	20	18	6640
1639	1200	15960	18	16	8170
1648	1200	19620	24	20	8590
1841	1060	18741	20	18	10230
1845	1060	20564	20	18	10600
1854	1060	24634	24	20	11200
2040	1000	21280	24	20	12750
2050	1000	26600	24	20	13700
2060	1000	31920	30	24	15480



**INDUSTRIAL EQUIPMENT • MAJOR STOCKING DISTRIBUTOR
ENGINEERING • SALES • SERVICE • PARTS**

242 POPLAR STREET • P.O. BOX 8053 • TOLEDO, OH 43605 • (419) 691-3571 • FAX (419) 691-1928
5091 WEST 164TH STREET • CLEVELAND, OHIO 44142 • (216) 265-0666 • FAX (216) 265-0667
1-800-882-1992 (OHIO TOLL FREE) 1-855-691-0621 (MICHIGAN TOLL FREE)
www.tomlinequip.com



1. Floating seat
2. Floating seat ring
3. Seal washer (Carbon PC9050)
4. Retainer
5. Spring
6. Pins - two at 90° apart

ROOTS RGS High Vacuum Booster

For further information contact:

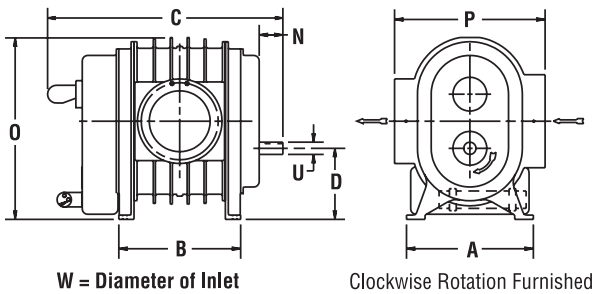
ROOTS

900 W. Mount Street,
Connersville Indiana, 47331
USA

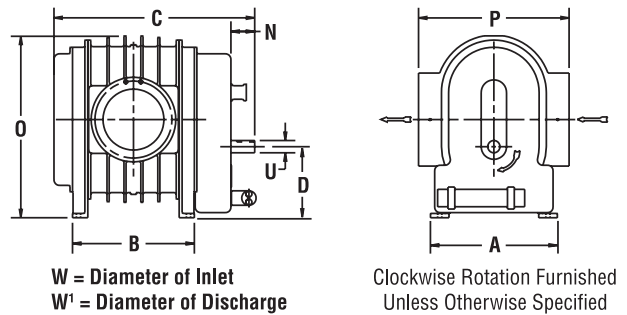
Tel: +1 765 827 9200

Web: www.RootsBlower.com

Frame sizes 1009 - 1442



Frame sizes 1639 - 2060



Dimensional table

Frame size	Inlet A	Disch. B	Approx. C	D	N	O	P	U	W	W1	Weight
1009	27	15.75	40.812	14500	4.625	34.625	28.000	2.250	8	8	1840
1012	27	18.75	43.812	14.5	4.625	34.625	28	2.25	8	8	2010
1016	27	23.25	48.312	14.5	4.625	34.625	28	2.25	10	10	2240
1018	27	25.5	50.562	14.5	4.625	35.625	28	2.25	10	10	2300
1021	27	27.75	52.812	14.5	4.625	35.625	28	2.25	12	10	2400
1024	27	30.75	55.812	14.5	4.625	35.625	28	2.25	12	10	2740
1030	27	36.75	61.812	14.5	4.625	35.625	28	2.25	14	12	3390
1225	30.5	32.5	59.312	16.625	5.5	41.375	30.5	2.625	14	12	3900
1228	30.5	36	62.812	16.625	5.5	41.375	30.5	2.625	14	12	4060
1236	30.5	43.5	70.312	16.625	5.5	41.375	34.625	2.625	16	14	4590
1431	34	39.75	69	18.75	6.25	47.687	34.625	3	16	14	5800
1435	34	43.25	72.5	18.75	6.25	47.687	34.625	3	18	16	6050
1442	34	50.25	79.5	18750	6.25	47.687	34.625	3	20	18	6640
1639	37.5	48	78.937	21	7	54	38.375	3.562	18	16	8170
1648	37.5	57	87.937	21	7	54	38.375	3.562	24	20	8590
1841	41	51	85.687	23.25	7.75	59.75	42.375	4.188	20	18	10230
1845	41	55	89.687	23.25	7.75	59.75	42.375	4.188	20	18	10600
1854	41	64	98.687	23.25	7.75	59.75	42.375	4.188	24	20	11200
2040	45	51	87	25.5	8.75	66.937	46	4.5	24	20	12750
2050	45	61	97	25.5	8.75	66.937	46	4.5	24	20	13700